

# STANLEY®

## PETROL BLOWER 4 STROKE 26CC



**MODEL NO.  
SXP42603**

For service, spare parts or product information,  
please contact Smart Marketing Group Pty. Ltd.

**AUST. 1300 660 457    N.Z. 0800 474 876**

[www.stanleyproducts.com.au](http://www.stanleyproducts.com.au)

# CONTENTS

Section	Page
Contents	2
Suggested Applications	3
2 Years Warranty / Serial Number	3
Specifications	4
Introduction	5
Express Warranty Statement	5
Complete Warranty Statement	6
Important Safety Instructions	7 - 9
Description & Components	10

Section	Page
Unpacking	11
Assembly	11
Operation	12 - 14
Maintenance	14 - 16
Trouble Shooting	17
Service Log	18
Notes	19
Contact Information	20

## SUGGESTED APPLICATIONS

These are some suggested articles which could be used by this Blower:

- Driveways
- Paths and walkways
- Patios
- Trees

## 2 YEARS WARRANTY



### PLEASE CONTACT CUSTOMER SERVICE

**SMART MARKETING GROUP PTY. LTD.**

**Australia: 1300 660 457**

**New Zealand: 0800 474 876**

**Operating times: Monday – Friday**

**8.00am - 5.00pm** Australian Eastern Standard Time (AEST)

Please take note of serial number and write here for ease of reference:

Serial Number: \_\_\_\_\_

Date of Purchase: \_\_\_\_\_

Place of Purchase: \_\_\_\_\_

Receipt Number: \_\_\_\_\_

# STANLEY®

## OWNER'S OPERATING MANUAL PETROL BLOWER 4 STROKE 26CC MODEL NO. SXPG42603

### SPECIFICATIONS

Engine type.....	4-stroke, air-cooled
Engine displacement.....	.26cc
Engine max. speed.....	11000min-1
Engine idle speed.....	3200+/-300min-1
Air speed.....	200km/h, 55m/s
Air volume.....	410CFM, 700m <sup>3</sup> /h
Fuel tank capacity.....	280ml
Fuel type.....	91 Unleaded petrol
Engine lubricant oil type.....	4 Stroke oil SAE 30, SAE 10W-30 or SAE 10W-40
Starting system.....	Recoil starter
Spark plug type.....	TORCH CMR5H or NGK CMR5H
Sound pressure level.....	LpA 90dB(A),k=3dB(A)
Sound power level.....	LWA 105dB(A),k=3dB(A)
Vibration level.....	14.4m/s <sup>2</sup> ,K=1.5m/s <sup>2</sup>
Weight.....	4.2kg

### THANK YOU FOR BUYING A STANLEY 4 STROKE PETROL BLOWER

Your new petrol blower has been engineered and manufactured to STANLEY's high standard of dependability, ease of operation and operator safety. Properly cared for, it will give you years of rugged, trouble free performance. If you use your petrol blower properly and only for what it is intended, you will enjoy years of safe, reliable service.



**CAUTION:** Carefully read through this entire owner's manual, paying close attention to the general safety rules and rules for safe operation, before using.

**KEEP THIS MANUAL FOR FUTURE REFERENCE**

# INTRODUCTION

Dear Customer,

Thank you for purchasing this Blower which has passed through our extensive quality assurance processes. Every care has been taken to ensure that it reaches you in perfect condition. However, in the unlikely event that you should experience a problem, or if you require any assistance please do not hesitate to contact us.



**If you have a problem, call customer service (phone number to the right), do not return this Blower to the place of purchase.**

## CUSTOMER SERVICE

**Australia: 1300 660 457**

**New Zealand: 0800 474 876**

**Operating times: Monday – Friday**

**8.00am - 5.00pm**

Australian Eastern Standard Time (AEST)

## EXPRESS WARRANTY STATEMENT - PETROL BLOWER

You are not required to do anything to register your Blower purchase. Please attach the purchase receipt to this manual and ensure both are kept safe. We hope you enjoy your new Blower, and if you have any problems call customer service on the above phone numbers. Do not return to place of purchase.

Smart Marketing Group Pty Ltd (SMG) warrants that this Blower will be free from manufacturing faults or defects for 2 years from the date of purchase, providing original purchase receipt is kept and shown when needed and is subject to the terms and conditions below.

If a warranty fault appears within the warranty period, SMG reserves the right to replace or repair the product. In the event that SMG chooses to replace the product, this original warranty will expire at the original date. If the product includes various accessories or components, only the defective accessory or component will be replaced or repaired.

SMG reserves the right to replace defective parts of the product with parts and components of similar quality, grade and composition where an identical part or component is not available.

Products presented for repair may be replaced by refurbished products of the same type rather than being repaired. Refurbished parts may be used to repair the products.

### What is covered.

- Manufacturing fault or defect.

### How to claim under this warranty.

- Call customer service, phone number at the top.
- Ensure you have the following: Original purchase receipt, Model of Blower, Serial number of Blower.
- Discuss the issue.
- Customer service will advise which authorised service agent to take the Blower to provided the issue is a warranty one.
- Take Blower to authorised service agent for repair.

### What is not covered.

- Commercial use of Blower.
- Use of Blower in a commercial premises.
- Damage or deterioration due to transport.
- Damage caused by negligence, misuse or abuse.
- Any corrosion or rusting.
- Damage caused by incorrect set up and start up.
- Replacement parts due to general wear and tear.
- Blower with serial number defacement, modification or removal.
- Blower which have been serviced by other than an authorised SMG service agent.
- Blower with no original purchase receipt.
- Blower which have been on sold, not original purchaser.
- Damage due non-servicing of Blower as is required by this manual.
- Blockages / damage caused by dust, dirt, spiders webs or insects.
- Damage caused by the incorrect fitting of accessories.
- Damage caused by overloading, overworking the Blower.
- Damage to attached equipment or third party accessories.
- Damage caused by attached equipment or third party accessories.

# COMPLETE WARRANTY STATEMENT - PETROL BLOWER

As soon as you have purchased the Blower, we recommend that you check to make sure it is intact and that you read the operating instructions carefully before using it. The purchase receipt for this product is to be retained and must be presented if making a claim under the terms of the Smart Marketing Group (SMG) warranty. Bank account statements are not acceptable for proof of purchase.

This warranty does not cover Blower intended for hire or use in commercial applications or in commercial premises. The warranty will under no circumstances extend to reimbursement or payment of damages, whether direct, indirect or consequential. The warranty is void if there is evidence the Blower has been modified or tampered with in any way or used with unauthorised accessories without our consent.

SMG declines any responsibility or liability whatsoever arising from misuse or abuse, negligent handling of the Blower or if the product has not been installed or failure to comply with the relevant safety, operating, setting and maintenance instructions (see further in this manual).

The warranty does not extend to installation or disconnection costs.

Any item sent freight forward/collect for repair will be refused. Warranty repairs are free of charge, provided the appliance is delivered to our service department or authorised service agent. The Blower will need to be returned, adequately protected in a box. SMG will not be responsible for any in-transit loss or damage. Assistance under the warranty will only be made available if the request is made to our customer service team on the contact numbers listed below and proof of purchase is provided.

This is a repair only warranty you will need to take the Blower to the authorised service agent after contacting our customer service centre.

If the product includes various accessories or components, only the defective accessory or component will be replaced or repaired.

SMG reserves the right to replace defective parts of the product with parts and components of similar quality, grade and composition where an identical part or component is not available.

Products presented for repair may be replaced by refurbished products of the same type rather than being repaired. Refurbished parts may be used to repair the products.

Damage caused by third party accessories is not covered under this warranty.

Damage caused to attached equipment or third party accessories will not be covered under this warranty.

Rust and corrosion are not covered under this warranty.

If a warranty fault is found the freight cost will be credited to the owner. If no fault is found the product will be returned and any

costs associated with the service will be charged to the owner.

Blockages caused by spider webs, insects, dirt, accumulated dust or incorrect fuel are not covered by warranty. SMG reserves the right to replace or repair the appliance within the warranty period. Parts found to be defective due to a manufacturing default will be replaced free of charge.

In the event of SMG choosing to replace the appliance, the warranty will expire at the original date of purchase. If no warranty fault is found the owner will be advised and the product will be returned and any costs associated with the service will be charged to the owner.

Our goods come with guarantees that cannot be excluded under the Australian Consumer Law. You are entitled to a replacement or refund for a major failure and for compensation for any other reasonably foreseeable loss or damage. You are also entitled to have the goods repaired or replaced if the goods fail to be of acceptable quality and the failure does not amount to a major failure. The benefits of this warranty are in addition to any rights and remedies imposed by Australian State and Federal legislation that cannot be excluded.

In New Zealand, this SMG warranty is in addition to the conditions and guarantees which are mandatory as implied by the New Zealand Consumer Guarantee Act 1993. For service, spare parts or product information please contact customer service:

Australia: 1300 660 457

New Zealand: 0800 474 876

# IMPORTANT SAFETY INSTRUCTIONS

The purpose of safety rules is to attract your attention to possible dangers. The safety symbols and the explanations with them, require your careful attention and understanding. The safety warnings do not by themselves eliminate any danger. The instruction or warnings they give are not substitutes for proper accident prevention measures.



## SAFETY ALERT SYMBOL

Indicates danger, caution or warning. May be used in conjunction with other symbols or pictures.

Failure to obey a safety warning can result in serious injury to yourself or to others. Always follow the safety precautions to reduce the risk of fire, electric shock and personal injury.

Do not attempt to operate this tool until you have read thoroughly and completely understood the safety rules, etc. contained in this manual. Failure to comply can result in accidents involving fire, electric shock or serious personal injury. Save this Owner's Operating Manual and review it frequently for continual safe operation and for instructing others who may use this tool.

## INTENDED USE

This product should only be used outdoors. The product is intended for: Clearing leaves and other debris from your lawn. Keeping decks and driveways free from leaves and other forms of debris.



## WARNING

To reduce the risk of injury, the user must read and understand the operator's manual.



## WARNING

Do not attempt to operate this blower until you have read thoroughly and understood completely all instructions, safety rules etc contained in this manual. Failure to comply may result in accidents involving fire, electric shock or serious personal injury. Save operator's manual and review frequently for continuing safe operation and instructing others who may use this tool.

## SPECIFIC SAFETY INSTRUCTIONS

Read the instructions with due care. Familiarise yourself with the settings and proper operation of the machine. Like all power equipment, this unit must be handled carefully.

## DO NOT EXPOSE YOURSELF OR OTHERS TO DANGER.

Follow these safety rules. Do not permit others to use this unit unless they are thoroughly responsible and have read and understood the Blower manual and are trained in its operation.

Always wear safety goggles for eye protection. Dress properly. Do not wear loose clothing or jewellery that could become caught in moving parts of the unit. Safe, sturdy, nonskid footwear should always be worn. Long hair should be tied back. It is recommended that legs and feet should be covered to protect from flying debris during operation.

Inspect the entire unit for loose parts (nuts, bolts, screws, etc.) and any damage before start and operation. Repair or replace as necessary before using the machine.

DO NOT USE any attachment with this power head other than the ones recommended by our manufacturer's replacement. Serious injury to the operator or bystanders could result as well as damage to the machine.

Keep the handles free from oil and fuel.

Do not operate the unit in insufficient lighting conditions.

Do not operate the unit when you are tired, when your concentration is impaired and/or under the influence of drugs, medication or alcohol.

Always use proper handles when blowing.

Do not smoke while filling tank.

Do not fill fuel in an enclosed room or near open flames. Ensure adequate ventilation.

Always store fuel in a properly marked container that is approved by local codes and ordinances for such usage.

Never remove the fuel tank cap while the engine is running.

# IMPORTANT SAFETY INSTRUCTIONS

Never start or run the product inside a closed room or building. Fumes from the exhaust contain dangerous carbon monoxide.

Never attempt to make engine adjustments while the unit is running. Always make engine adjustments with the unit resting on a flat, clear surface.

Do not use the unit if it is damaged or poorly adjusted. Never remove the unit's tube. Serious injury to the operator or bystanders could result as well as damage to the machine.

Inspect the area to be cleaned and remove all debris that could become dangerous if it becomes airborne.

Keep children away. Onlookers should be kept at a safe distance from the work area, at least 15m (50ft) away.

Never leave the unit unattended while engine is running.

Do not use this unit for any job other than those for which it is intended as described in this manual.

Do not overreach. Keep proper footing and balance at all times. Do not use the unit while standing on a ladder or on any other unstable footing location.

Follow instructions for assembling and operation.

Do not store the unit in a closed area where fuel vapours can reach an open flame from hot water heaters, furnaces, etc. Store in a locked, well ventilated area only.

Ensure safe and proper performance of your unit. Please only use original accessories. The use of any other accessories or attachments may cause a potential hazard or injury to the user, damage to the unit, and void this warranty.

Always hold the blower in your right hand during blower operation. Refer to the Operation instructions later in this manual for proper position during vacuum operation and additional information.

Never place objects inside the blower tubes.

Use only as directed in this operator's manual.

Do not put hands or any other objects into the blower tubes while they are installed on the unit.

Never run the unit without the proper equipment attached.

Never place blower on any surface, except a hard, clean surface when engine is running. Gravel, sand, and other debris can be picked up by the air inlet and thrown at the operator or bystanders, causing possible serious injuries.

To reduce the risk of hearing loss associated with sound level(s), hearing protection is required.

To reduce the risk of injury associated with contacting rotating parts, stop the engine before installing or removing attachments. Do not operate without all guard(s) and tubes in place. Always disconnect the spark plug before performing maintenance or accessing any movable parts.

Always install the blower tubes.

Never use blower near fires, fireplaces, hot ashes, barbecue pits, etc., which may cause fire to spread.

Do not point the blower nozzle in the direction of people or pets.

This product is intended for infrequent use by homeowners and other occasional users for such general applications as blowing leaves and lawn clippings, etc. It is not intended for prolonged use.

Prolonged periods of operation can cause circulatory problems in the user's hands due to vibration. For such use, it may be appropriate to use a product having an anti-vibration feature. If the unit will not be used for a long time, clean the unit completely, especially the fuel/oil tank, its surroundings, and the air cleaner.

When refuelling, be sure to stop the engine and confirm that it is cooled down. Never refuel when the engine is running or hot. When gasoline spills, be sure to wipe it up completely and dispose of those materials before starting the engine.

Stay clear of other workers or bystanders by at least 15 meters/50 feet.

Whenever approaching an operator of the unit, carefully call their attention and confirm that the operator stops the engine. Be careful not to startle or distract the operator which can cause an unsafe situation.

The engine should be turned off when the unit is moved between work areas.

Pay attention to loosening and overheating parts. If there is any abnormality of the unit, stop operation immediately and check the unit carefully. If necessary, have the unit serviced by customer support. Never continue to operate a unit which may be malfunctioning.

In start-up or during operation of the engine, never touch hot parts such as the muffler, the high voltage wire or the spark plug.

After the engine has stopped, the muffler is still hot. Never place the unit in any places where there are flammable materials (dry grass, etc.), combustible gasses or combustible liquids.

Pay special attention to operation in the rain or just after the rain as the ground may be slippery.

If you slip or fall to the ground, release the throttle lever immediately.



# IMPORTANT SAFETY INSTRUCTIONS

Before proceeding to adjust or repair the unit, be sure to stop the engine and detach the spark plug.

When the machine is placed in storage for a long time, drain fuel/oil from the fuel/oil tank and carburettor, clean the parts, move the machine to a safe place and confirm that the engine has cooled down.

Make periodic inspections to ensure safe and efficient operation. For a thorough inspection of your unit, contact customer support.

Keep the unit away from fire or sparks.

Keep your body warm, especially the head, neck, feet, ankles, hands and wrists.

Maintain good blood circulation by performing vigorous arm exercises during frequent work breaks and also by not smoking.

Limit the hours of operation.

If you experience discomfort, redness and swelling of the fingers followed by whitening and loss of feeling, consult your physician before further exposing yourself to cold and vibration.

Always wear ear protection. Loud noises for long periods can cause hearing loss, even permanent deafness.

Wear no-slip heavy duty work gloves to improve your grip on the handle. Gloves also reduce the transmission of machine vibration to your hands.

Do not lay the machine on the side; otherwise the fuel could spill out.

Fuel evaporation during refuelling and exhaust gases are harmful to the operator and people around the unit.

Ensure the fuel evaporation and exhaust gases will not drift to the face of operator and keep other people away from your working area.

Do not allow children or untrained individuals to use this unit.

## RESIDUAL RISKS

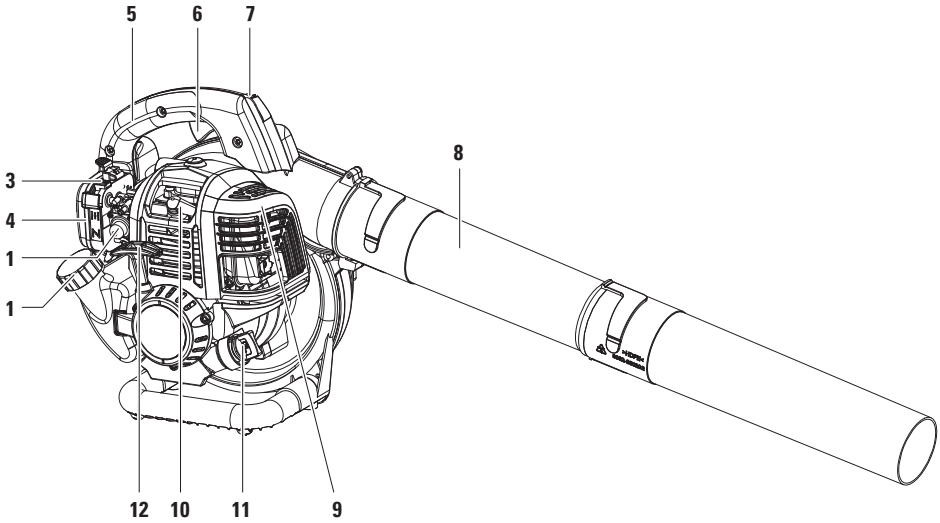
Even when the unit is used as prescribed it is not possible to eliminate all residual risk factors. The following hazards may arise in connection with the unit's construction and design:

1. Damage to lungs if an effective dust mask is not worn.
2. Damage to hearing if effective hearing protection is not worn.
3. Health defects resulting from vibration emission if the unit is being used over long periods of time or not adequately managed and properly maintained.

## WARNING

This unit produces an electromagnetic field during operation. This field may under some circumstances interfere with active or passive medical implants. To reduce the risk of serious or fatal injury, we recommend persons with medical implants to consult their physician and the medical implant manufacturer before operating this unit.

# DESCRIPTION



**For information regarding spare parts, please refer to contact details on the front of this manual**

1. Fuel tank cap
2. Primer button
3. Choke lever
4. Air filter
5. Handle
6. Throttle trigger
7. Ignition switch
8. Blower tubes

9. Muffler
10. Spark plug
11. Oil tank cap
12. Starter handle

# UNPACKING



## CAUTION.

This packaging contains sharp objects. Take care when unpacking. Remove the machine, together with the accessories supplied, from the packaging. Check carefully to ensure that the machine is in good condition and account for all the accessories listed in this manual. Also make sure that all the accessories are complete.

If any parts are found to be missing, please contact customer service (details on page 5). Do not throw the packaging away, keep it safe throughout the warranty period, then recycle if possible, otherwise dispose of it by the proper means. Do not let children play with empty plastic bags due to the risk of suffocation.

# ASSEMBLY

## PACKING CONTENTS (FIG. 1)

- Blower assembly.
- Upper blower tube.
- Lower blower tube.
- Operator's manual.
- Screwdriver (1).
- Wrench for spark plug (1).
- Bottle of engine oil.



**WARNING.** To prevent an accidental start that could cause serious personal injury, always disconnect the engine spark plug wire from the spark plug when assembling parts.



**WARNING.** If any parts are damaged or missing do not operate this product until the parts are replaced. Use of the product with damaged or missing parts could result in possible serious personal injury.



**WARNING.** Do not attempt to modify this product or create accessories not recommended for use with this product. Any such alteration or modification is misuse and could result in a hazardous condition leading to possible serious personal injury.



**WARNING.** This product is intended for blower use only and is not designed for vacuum use. Do not attempt to open the air inlet cover that covers the impeller. Opening the air inlet cover may result in contact with the impeller blades and cause serious personal injuries.

## ASSEMBLING THE BLOWER TUBES

Align the raised tabs on the lower blower tube to the slots on the upper blower tube, slide together and tighten securely by twisting. Check the tightness after initial use and retighten if needed. To remove the tubes, rotate the upper blower tube and remove from the lower blower tube. Insert the upper blower tube to the engine air tube (2) and lock the tube by turning 90 degree (1), Fig.2.

The lower air tube should be connected to the upper air tube in the same way.

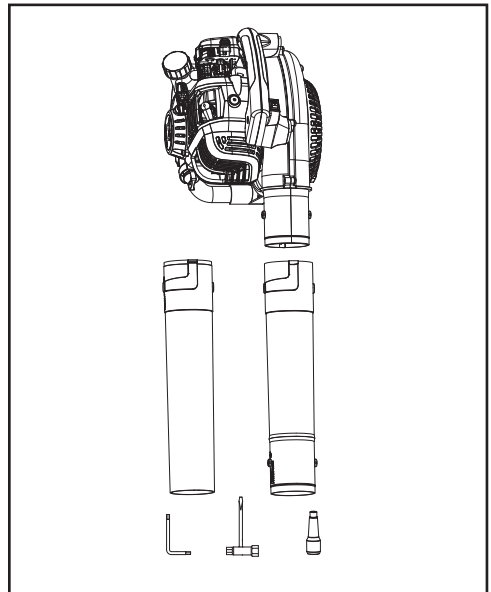


Fig. 1

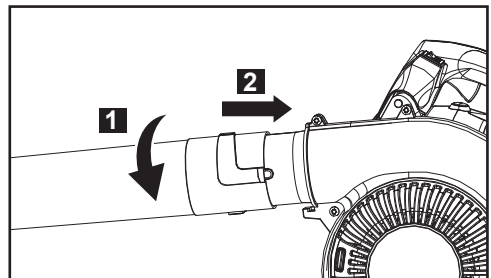


Fig. 2

# OPERATION

**WARNING.** Do not allow familiarity with this product to make you careless. Remember that a careless fraction of a second is sufficient to inflict serious injury.

**WARNING.** Always wear eye protection with side shields marked to comply with Australian Standards, along with hearing protection. Failure to do so could result in objects being thrown into your eyes and other possible serious injuries.

**WARNING.** Operation of this equipment could create sparks that can start fires around dry vegetation. A spark arrestor may be replaced. The operator should contact local fire agencies for laws or regulations relating to fire prevention requirements.

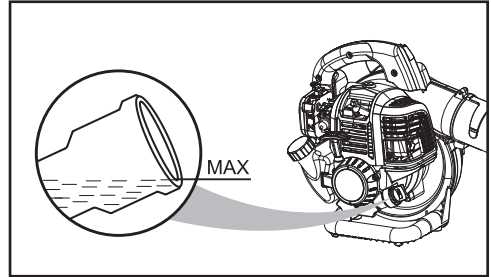


Fig. 3

4. If level is low, add engine lubricant until the fluid level rises to the top of oil fill hole (the top of screw thread) and does not overflow, Fig.3.
5. Replace and tighten the oil cap.

**NOTE:** Do not overfill. Overfilling the crankcase may cause excessive smoke, oil loss, and engine damage.

## FUELLING AND REFUELLING THE BLOWER

**WARNING.** Petrol and its vapours are highly flammable and explosive. To prevent serious personal injury and property damage, handle it with care.

Keep away from ignition sources and open flames, handle outdoors only, do not smoke and wipe up spills immediately.

Always shut off engine before fuelling.

Never add fuel to a machine with a running or hot engine. Move at least 9 metres. from refuelling site before starting engine. Do not smoke and stay away from open flames and sparks. Never operate the unit without the fuel cap securely. Failure to safely handle fuel could result in serious personal injury.

1. Remove the fuel tank cap by turning counterclockwise. Rest the cap on a clean surface.
2. Carefully pour fuel into the tank. Avoid spillage.
3. Immediately replace the fuel cap and tighten it by turning it clockwise.
4. Wipe up any spilled fuel.

## ADDING/CHECKING ENGINE OIL

### NOTE:

1. Attempting to start the engine before it has been properly filled with oil will result in equipment failure.
2. Engine oil has a major influence on engine performance and service life. This unit is shipped without engine oil.
3. Always use a good quality 4-stroke engine oil. SAE 30, 10W-30, or 10W-40 are all acceptable oils to use in this product. Non-detergent or 2-stroke engine oil will damage the engine and should not be used.
4. Check oil levels before each use.

## TO ADD ENGINE OIL: INITIAL USE

1. Remove the cap from the empty lubricant bottle provided.
2. Pour 60ml 4-stroke engine oil into lubricant bottle with funnel.
3. Unscrew the oil cap from the engine and remove.
4. Pour the 60 ml lubricant oil into oil fill hole. Replace and tighten the oil cap.

## TO CHECK ENGINE LEVEL BEFORE EACH USE

1. Set blower on a flat level surface.
2. Unscrew the oil cap and remove.
3. Lubricant level should fall within the top of oil fill hole (the top of screw thread).

# OPERATION

**NOTE:** Visually inspect to see if fuel level is low. If fuel is low, refill with unleaded fuel carefully without overfilling and tighten the fuel tank cap immediately.

This unit has a 4-stroke engine. Do not mix oil with petrol.

The use of old fuel is the most common cause of performance problems. Use only fresh, clean unleaded petrol (less than 30 days old).

Dispose of old fuel according to federal, state and local regulations.

Drain the tank and run the engine dry before storing the unit.

Do not use E15 or E85 fuel (or fuel containing greater than 10% ethanol) in this product. It will damage the unit and void your warranty.

## STARTING AND STOPPING

The blower should be laid out on a flat, bare surface for starting.

### TO START A COLD ENGINE

Turn switch to "I" ON position.



Slowly press the primer bulb 5-10 times.  
**NOTE:** After the 7th press, fuel should be visible in the primer bulb. If it is not, continue to press the primer until you see fuel in the bulb.



Move the choke lever to the right to set the choke to FULL CHOKE.  
**NOTE:** Do not squeeze the throttle trigger because the choke will be moved back automatically.



Pull the starter grip /cord until resistance is detected. Rapidly pull 3 to 5 times or until you hear engine turn over or begin to start.



If engine does not start, release choke by squeezing throttle trigger and choke button pops out.

Engine is now in the run position.

Rapidly pull starter grip/cord until engine starts.

Allow the engine to run for 10 seconds, then squeeze throttle to provide fuel to engine and use for intended task.

**NOTE:** The choke lever is only used when starting a cold engine. Never move the choke lever to the right position once the engine has been turned over or is running. Otherwise the engine may be damaged or may not run due to FULL CHOKE.

### TO RESTART A WARM ENGINE

Do NOT move the choke lever to the right side.

- Turn switch to "I" ON position.
- Ensure the primer bulb has fuel inside.
- Rapidly pull the starter/grip until the engine starts.
- Squeeze the throttle to provide fuel to the engine and use it for your intended task.

### TO STOP THE ENGINE

To stop the engine, depress the STOP switch to the "STOP" position.

### OPERATING THE BLOWER



**WARNING.** Never run the unit without the blower tubes installed and the air inlet cover securely closed. Use of an improperly assembled unit may result in serious personal injury.

Always hold the blower away from your body with the handle in your right hand, keeping clearance between your body and the product, Fig.4. The muffler side of the blower should be away from your body.

Any contact with the housing can result in burns and/or other serious personal injury.

Start the blower. Hold the blower with the upper handle in your right hand. Do not place the blower on top of or near loose debris or gravel. Debris may be sucked into blower intake vent, resulting in possible damage to the unit, and may result in serious personal injury.

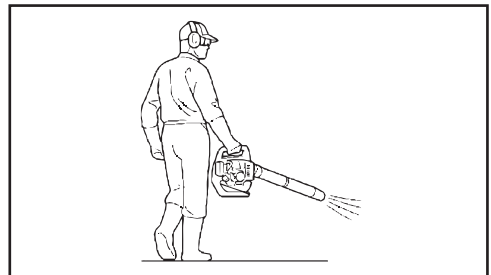


Fig. 4

# OPERATION

## ENGAGE AIR BLOWING

Air blowing will be engaged if the operator presses the throttle trigger to increase the engine speed.

## TIPS FOR WORKING

To keep from scattering debris, blow around the outer edges of a debris pile. Never blow directly into the centre of a pile.

Operate power equipment at reasonable hours only - not early in the morning or late at night when people might be disturbed. Comply with the times listed in local ordinances.

To reduce sound levels, limit the number of pieces of equipment used at any one time.

Conserve water by using power blowers instead of hoses for many lawn and garden applications including areas such as gutters, screens, patios, grills, porches, and gardens.

Operate blower at the lowest possible throttle speed to do the job. Check your equipment before operation, especially the muffler, air intakes, and air filters.

Use rakes and brooms to loosen debris before blowing.

In dusty conditions, slightly dampen surfaces when water is available.

Watch out for children, pets, open windows, or freshly washed cars, and blow debris safely away.

After using blowers or other equipment, CLEAN UP! Dispose of debris properly.

# MAINTENANCE

## CLEANING AND CARE

Correct and regular cleaning is not only important for the safe use of this product, but also extends its life span.



**WARNING.** Always stop the engine and wait for the engine to cool down.

Please remove dust, grass etc. from machine after every application. Clean the machine with a wet cloth. For cleaning difficult to reach areas, use a brush.

You may use pressurised air to remove persistent dust.

**NOTE:** Do not use chemical, acid, alkaline, grinding or other aggressive cleaning agents. They could destroy the surface of the product.

## MAINTENANCE



**WARNING.** Always stop the engine and wait for the engine to cool down.

Disconnect spark plug wire and move it away from spark plug.

When servicing, use only identical replacement parts. Use of any other parts could create a hazard or cause product damage.

Always wear eye protection with side shields marked to comply with Australian Standards, along with hearing protection.

Failure to do so could result in objects being thrown into your eyes and other possible serious injuries.

## INSPECTION AND MAINTENANCE SCHEDULE

The maintenance interval is only a recommendation for machines in ordinary operating condition. If there are any abnormal signs from the machine, please do the proper inspection and maintenance immediately.

The tightening torque should follow the general screw specification of different size, class and material.

If anything is unclear to you, please contact our service team for help. See Page 3 or 5 for contact details.

All other repairs or maintenances which are not mentioned here shall only be done by our service team or authorised personnel.

# MAINTENANCE

ITEM	HOURS OF OPERATION
Engine lubricant oil level	Every time before use
Loosened or lost screws	Every time before use
Damage of any part	Every time before use
Function of control elements	Every time before use
Fuel level	Every time before use
Leakage of oil or fuel	Every time before use
Engine oil replacement	Every 20 hours
Air filter cleaning	Every 20 hours but every 10 hours if work condition is dusty
Spark plug check	Every 20 hours

## ENGINE OIL REPLACEMENT



**WARNING.** Old engine oil is considered special waste and has to be disposed according to your local environment protection regulation. Do not pour the oil to garbage can, sewer, soil etc.

1. The engine oil replacement is easier if engine is warm (NOT HOT!).
2. Open the oil tank cap and drain the old oil to an approved container.
3. Return the engine to an upright position and refill with lubricant following the instructions in the Adding/Checking Engine Oil section in this manual (Page 12).
4. Clean the oil dropped on the unit if necessary.

# MAINTENANCE

## CLEANING THE AIR FILTER

1. The air filter elements should be cleaned to provide the engine abundant clean air which benefits the starting, power and life time of the engine.
2. To clean or replace the air filter, press the release button on the air filter housing, Fig.5 (1), remove the cover (2) and take out the air filter cartridge, Fig.6.
3. If only the air filter needs to be cleaned, remove the air filter pad and clean it with a jet of dry compressed air until all dust particles are removed. Wear protective goggles and masks to protect your health when carrying out this step.
4. Assemble all parts in a reversed order.

**NOTE:** Make sure the filter is seated properly inside the cover. Installing the filter incorrectly will allow dirt to enter the engine, causing rapid engine wear. If the nylon filter element is lost, it should be reinstalled by contacting customer support.

## SPARK PLUG

Do not attempt to remove the spark plug from a hot engine.

Clean or replace the spark plug if it is soiled with heavy oil deposits.

Replace the spark plug if the centre electrode is worn at the end.

This engine uses either a TORCH CMR5H or a NGK CMR5H spark plug with a 0.6-0.8mm electrode gap, Fig. 7. Use an exact replacement and replace annually.

1. Pull out the spark plug cap and clean the dust in the spark plug area.
2. Screw out the spark plug with the provided socket wrench.
3. Check the ceramic isolation. Replace the spark plug if damaged.
4. Clean the electrodes (metal tip) to refresh the surfaces.
5. Restore the spark plug and its cap.

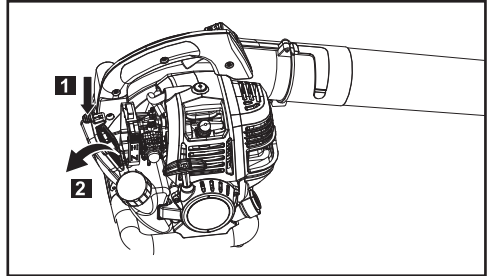


Fig. 5

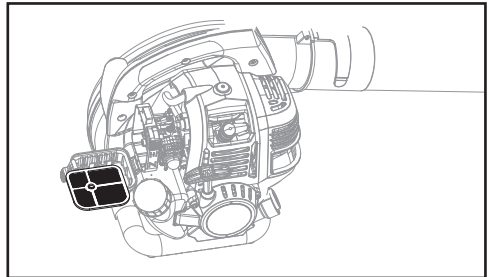


Fig. 6

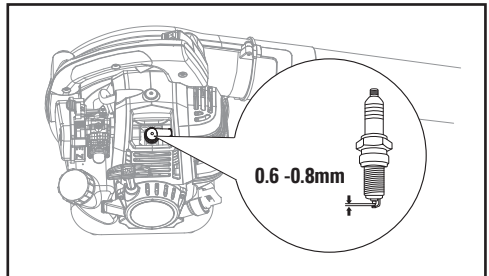


Fig. 7



# TROUBLESHOOTING

Problem	Possible Cause	Solution
Engine will not start	No spark	Check spark. Remove spark plug. Reattach the spark plug cap and lay spark plug on metal cylinder. Pull the starter rope and watch for spark at spark plug tip. If there is no spark, repeat test with a new spark plug.
	No fuel	Push primer bulb until bulb is full of fuel. If bulb does not fill, primary fuel delivery system is blocked. Contact a servicing dealer. If primer bulb fills, engine may be flooded, proceed to next item.
	Engine is flooded	Set the choke lever to the FULL CHOKE position. Squeeze the trigger and pull the rope repeatedly until the engine starts and runs. NOTE: Depending on the severity of the flooding, this may require numerous pulls of the rope.
Engine does not reach full speed and emits excessive smoke	Air filter is dirty	Clean air filter. Refer to "Cleaning the Air Filter" earlier in this manual.
	Spark arrestor screen is dirty	Contact a servicing dealer.
	Spark plug fouled	Clean or replace spark plug. Reset spark plug gap. Refer to "Spark Plug" section earlier in this manual.
Engine starts, runs, and accelerates but will not idle.	Idle speed screw on carburettor needs adjustment.	Turn idle speed screw clockwise to increase idle speed.
Engine emits too much smoke.	Too much oil in crankcase.	Drain oil and refill with correct amount of 10W-30 engine lubricant. See "Adding/Checking Engine Oil" in the Operation section of this manual.

This Service is to be complete within 20 hours or 3 months of purchase, which ever comes first.	
<b>Replace</b>	<b>Replace</b>
Air filter	Spark plug
Oil	
Authorised Service Agent (Name or Company Stamp)	
Technician	
Date	

This Service is to be complete within 40 hours or 6 months of purchase, which ever comes first.	
<b>Replace</b>	<b>Replace</b>
Air filter	Spark plug
Oil	
Authorised Service Agent (Name or Company Stamp)	
Technician	
Date	

This Service is to be complete within 60 hours or 9 months of purchase, which ever comes first.	
<b>Replace</b>	<b>Replace</b>
Air filter	Spark plug
Oil	
Authorised Service Agent (Name or Company Stamp)	
Technician	
Date	

This Service is to be complete within 80 hours or 12 months of purchase, which ever comes first.	
<b>Replace</b>	<b>Replace</b>
Air filter	Spark plug
Oil	
Authorised Service Agent (Name or Company Stamp)	
Technician	
Date	

This Service is to be complete within 100 hours or 15 months of purchase, which ever comes first.	
<b>Replace</b>	<b>Replace</b>
Air filter	Spark plug
Oil	
Authorised Service Agent (Name or Company Stamp)	
Technician	
Date	

This Service is to be complete within 120 hours or 18 months of purchase, which ever comes first.	
<b>Replace</b>	<b>Replace</b>
Air filter	Spark plug
Oil	
Authorised Service Agent (Name or Company Stamp)	
Technician	
Date	

This Service is to be complete within 140 hours or 21 months of purchase, which ever comes first.	
<b>Replace</b>	<b>Replace</b>
Air filter	Spark plug
Oil	
Authorised Service Agent (Name or Company Stamp)	
Technician	
Date	

This Service is to be complete within 160 hours or 24 months of purchase, which ever comes first.	
<b>Replace</b>	<b>Replace</b>
Air filter	Spark plug
Oil	
Authorised Service Agent (Name or Company Stamp)	
Technician	
Date	

## NOTES

---

---

---

---

---

---

---

---

---

---

---

---

---

---

---

---

---

---

---

---

---

---

---

---

---

---

---

---

---

---

**For any queries or assistance call**



**Customer Service**

**AUST. 1300 660 457**

**NZ 0800 474 876**

**[www.stanleyproducts.com.au](http://www.stanleyproducts.com.au)**

Hours of operation:

Monday to Friday 8.00am - 5.00pm AEST

**Do not return to place of purchase.**

Keep your purchase receipt, this will be required to  
make any claims under the 2 year warranty.

**STANLEY®** **STANLEY®**

STANLEY, The STANLEY Logo, The Notched Rectangle and the  
Yellow and Black Diagonal Package Design are all trademarks of  
Stanley Black & Decker, Inc. or an affiliate thereof.